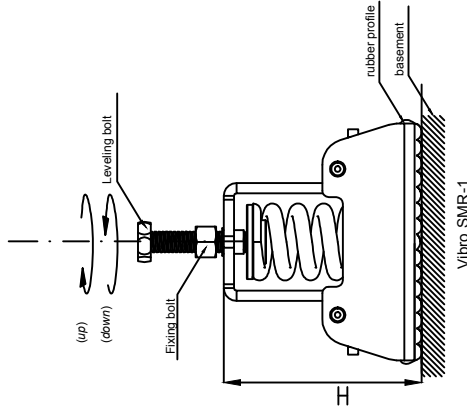
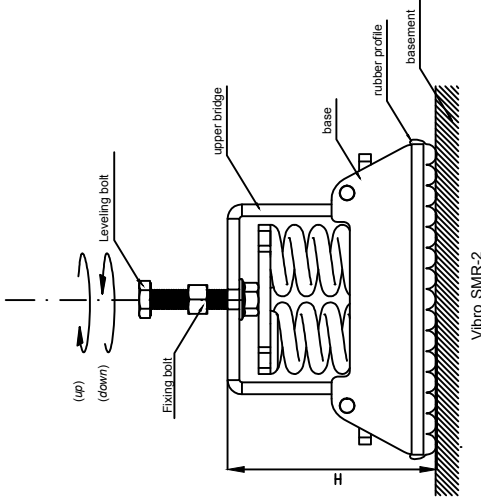


VIBRO - SMR (Antivibration Spring Mount with Multi-Directional Restrain & Adjustable Height)

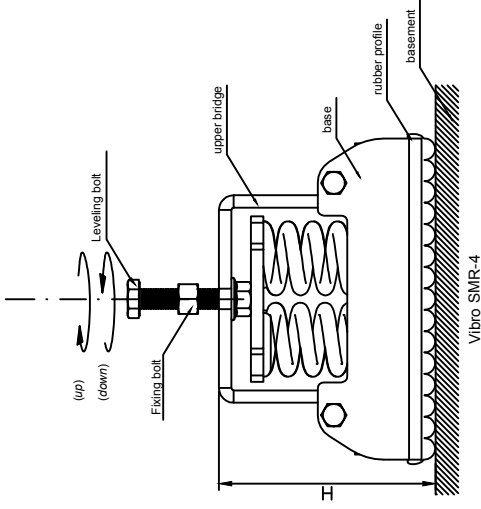
FRONT VIEW



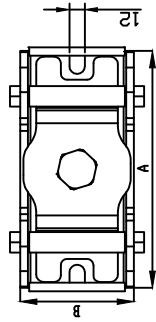
Vibro SMR-1



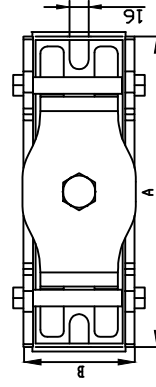
Vibro SMR-2



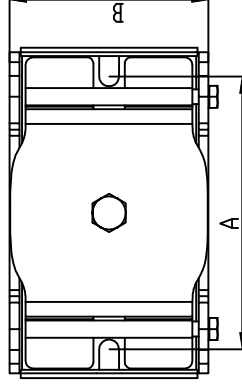
Vibro SMR-4



Vibro SMR-1

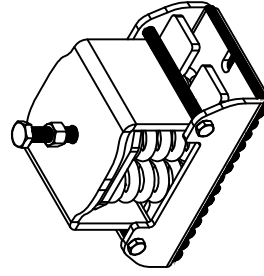


Vibro SMR-2

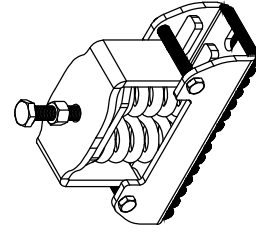


Vibro SMR-4

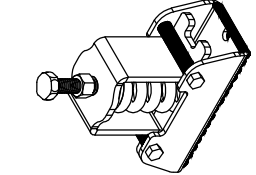
ISOMETRIC VIEW



Vibro SMR-4



Vibro SMR-2



Vibro SMR-1

SELECTION TABLE

Type	Maximum load (kp)*	Dimensions (AxBxH mm)	Bolt size
VIBRO			
SMR - 250.1	250	185-90-160	M14
SMR - 500.1	500	185-90-160	M14
SMR - 750.1	750	185-90-160	M14
SMR - 500.2	500	260-95-170	M18
SMR - 1000.2	1000	260-95-170	M18
SMR - 1500.2	1500	260-95-170	M18
SMR - 1000.4	1000	195-290-180	M22
SMR - 2000.4	2000	195-290-180	M22
SMR - 2500.5	2500	195-290-180	M22
SMR - 3000.4	3000	195-290-180	M22
SMR - 3750.5	3750	195-290-180	M22

INSTALLATION INSTRUCTIONS

1. Locate each isolator VIBRO - SMR into position according to submittal drawing using color coded springs or labeling as identification.
2. Lower the equipment on to the isolator trying not to overload any of the other spring isolators, due to unbalanced load.
3. Fix the bottom part of isolator to the building structural support using two appropriate bolts or anchors through its holes provided.
4. Screw the upper bolt through the appropriate hole of the equipment base.
5. Adjust the leveling using the upper bolt to reach the appropriate level in order to distribute the load among spring isolators. Turn the top bolt clockwise to lift the upper bridge and counterclockwise to lower the upper bridge.
6. Tighten top nut to the equipment foot bracket in order to fix it with SMR.

NOTES:

Check if you need an extra protection against earthquake or wind exitation.

Subject to change without notice

Design and Production according to Quality Assurance System which complies with ISO 9001.2008.

www.vibro.gr
info@vibro.gr



TITLE
Vibro - SMR
Installation Instructions

SCALE Do not scale print
All dimensions are
in mm U.O.N.

LAST DATE REVISED
12-2014

SHORT CODE
INST - SMR

DRAWING NO.
01

*Other load range on request

*(kp=10N)